

DESCRIPTION

AMC MODEL MSN-3DR-05-DEC-SP OPTION: 303F, HITECH IS A REFLECTIVE SINGLE POLE THREE THROW SWITCH MODULE DESIGNED TO OPERATE BETWEEN THE 3.1 TO 3.5 GHz FREQUENCY RANGE.

SPECIFICATIONS

- FREQUENCY RANGE: 3.1 TO 3.5 GHz
- INSERTION LOSS: 1.3 ± 0.4 dB MAXIMUM
- FLATNESS: ± 0.25 dB
- ISOLATION: 80 dB MINIMUM
- VSWR: 1.4:1
- DELAY ON: 500 nSec MAXIMUM
- DELAY OFF: 500 nSec MAXIMUM
- POWER INPUT: (CW)+20 dBm (STANDARD), +10 dBm (HIGH SPEED)
- SURVIVAL POWER: 1 WATT CW, 10 WATTS PEAK 1 μ Sec
- CONTROL: SEE TRUTH TABLE
- POWER SUPPLY: +5V @ 150 mA MAXIMUM
-5V @ 75 mA MAXIMUM
- CONNECTORS:
 - RF: SMA FEMALE
 - CONTROL: SOLDER PIN
- SIZE: 1.10" (L) x 1.10" (W) x 0.40" (H)
- WEIGHT: 1.5 OUNCE TYPICAL

OPTIONS:

- 303F: 3.1 TO 3.5 GHz FREQUENCY RANGE
- HITECH: SPECIAL MECHANICAL HOUSING

TRUTH TABLE					
CONTROL			RF		
E3	E5	E6	J1-J4	J2-J4	J3-J4
0	1	1	IL	ISO	ISO
1	0	1	ISO	IL	ISO
1	1	0	ISO	ISO	IL

PIN	CONNECTION
J1	RF
J2	RF
J3	RF
J4	RF COMMON
E1	+5V
E2	-5V
E3	J1 CONTROL
E4	GND
E5	J2 CONTROL
E6	J3 CONTROL

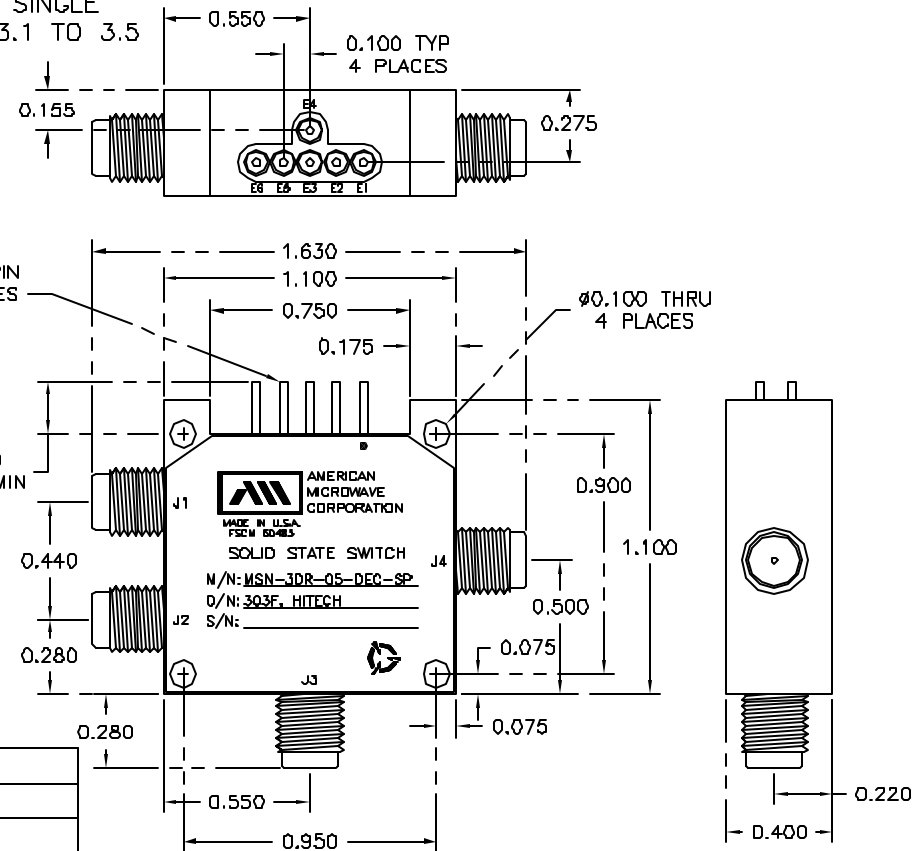
ENVIRONMENTAL RATINGS:

- TEMPERATURE: 0°C TO +50°C (OPERATING)
-65°C TO +125°C (STORAGE)
- HUMIDITY: MIL-STD-202F, METHOD 103B COND. B
- SHOCK: MIL-STD-202F, METHOD 213B COND. B
- VIBRATION: MIL-STD-202F, METHOD 204D COND. B
- ALTITUDE: MIL-STD-202F, METHOD 105C COND. B
- TEMPERATURE CYCLE: MIL-STD-202F, METHOD 107D COND. A

NOTE: SPECIFICATIONS WILL VARY OVER OPERATING TEMPERATURE
NOTE: THE ABOVE SPECIFICATIONS ARE SUBJECT TO CHANGE OR REVISION

ALL DIMENSIONS ARE IN INCHES
TOLERANCES:
XXX ± 0.020
XXX ± 0.010

REVISIONS				
ZONE	REV.	DESCRIPTION	DATE	APPROVED
-	-	ORIGINAL RELEASE JOB# 505137XPE-2	9/29/05	



AMERICAN MICROWAVE CORPORATION

7311-G GROVE ROAD
FREDERICK, MARYLAND 21704 USA
TEL: 301-662-4700 FAX: 301-662-4938
WEBSITE: www.americanmicrowavecorp.com
E-MAIL: sales@americanmicrowavecorp.com
ISO 9001:2000 CERTIFIED



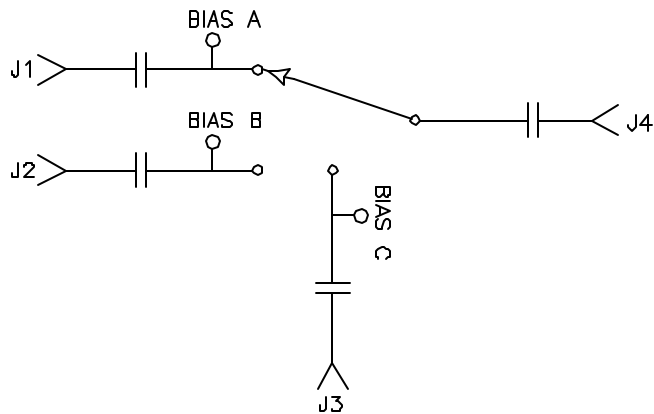
APPROVALS		DATE	TITLE		
DRAWN	<i>FDJ</i>	9/29/05	PRODUCT FEATURE MSN-3DR-05-DEC-SP OPTION: 303F, HITECH 3.1-3.5 GHz, SINGLE POLE THREE THROW SWITCH		
CHECKED			SIZE	FSCHM NO.	DWG NO.
ISSUED			A	60483	100-7507
			SCALE	N:S	SHEET 1 OF 4

DESCRIPTION

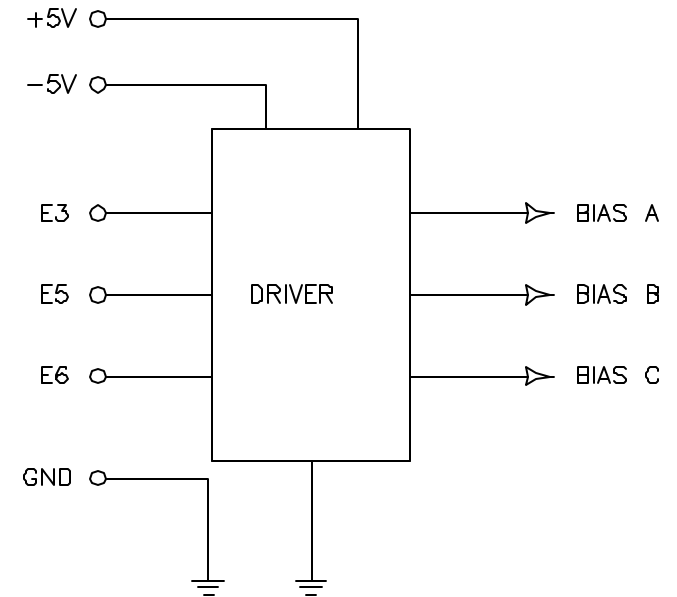
AMC MODEL MSN-3DR-05-DEC-SP OPTION: 303F, HITECH IS A REFLECTIVE SINGLE POLE THREE THROW SWITCH MODULE DESIGNED TO OPERATE BETWEEN THE 3.1 TO 3.5 GHz FREQUENCY RANGE.

REVISIONS				
ZONE	REV.	DESCRIPTION	DATE	APPROVED
	-	ORIGINAL RELEASE JOB# 505137XPE-2	9/29/05	

BLOCK DIAGRAM



FUNCTIONAL BLOCK DIAGRAM



AMERICAN MICROWAVE CORPORATION

7311-G GROVE ROAD
 FREDERICK, MARYLAND 21704 USA
 TEL: 301-662-4700 FAX: 301-662-4938
 WEBSITE: www.americanmicrowavecorp.com
 E-MAIL: sales@americanmicrowavecorp.com
 ISO 9001:2000 CERTIFIED



APPROVALS		DATE	TITLE		
DRAWN	<i>FDJ</i>	9/29/05	FUNCTIONAL BLOCK DIAGRAM MSN-3DR-05-DEC-SP OPTION: 303F, HITECH 3.1-3.5 GHz, SINGLE POLE THREE THROW SWITCH		
CHECKED			SIZE	PSCHM NO.	DWG NO.
ISSUED			A	60483	100-7507
			SCALE	N:S	SHEET 3 OF 4